

Revision Schedule		
Revision Number	Revision Description	Revision Date



Big State Electric, LTD
 8923 Aero ST
 San Antonio, TX 78217
 Phone: (210) 735-1051

CREDIT HUMAN
 1803 BROADWAY - SOUTH TOWER
 SAN ANTONIO TX 78215

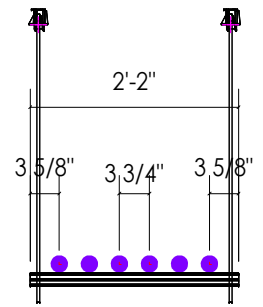
PROJECT INFORMATION

PROJECT NUMBER: JC-1901

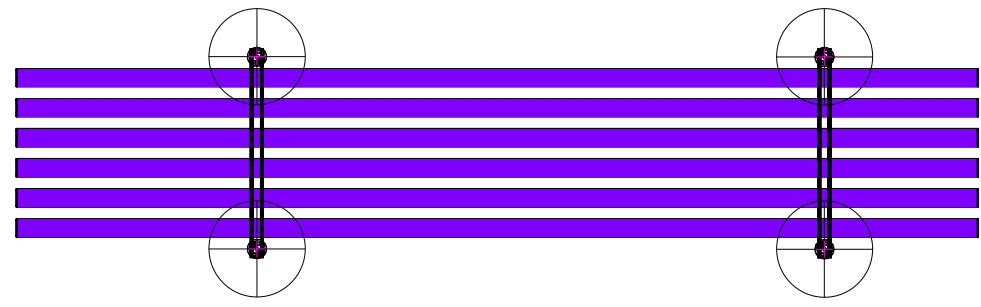
Date: 12/17/19
 Time Stamp: 3/5/2020 6:33:11 PM
 DRAWN BY: AK

TITLE: PF12-61

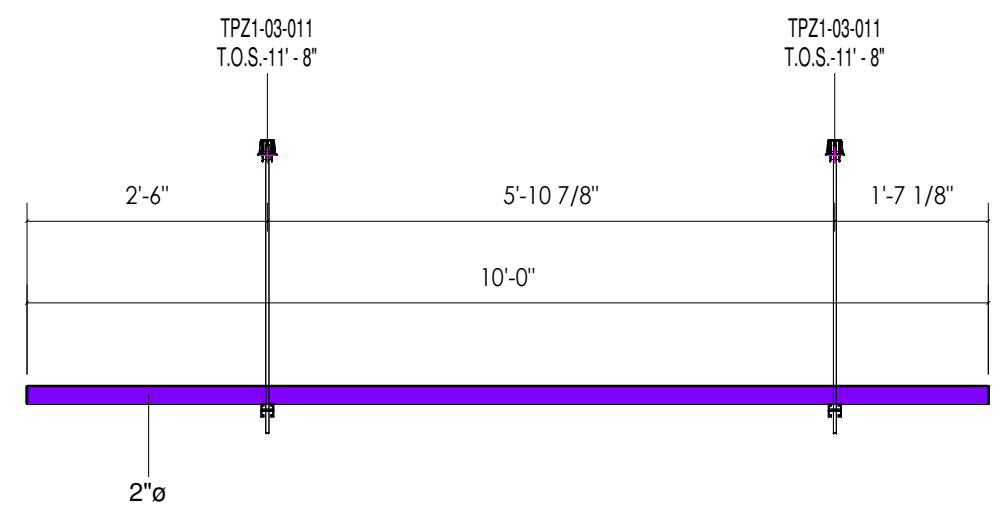
SHEET NUMBER: 05 OF 05



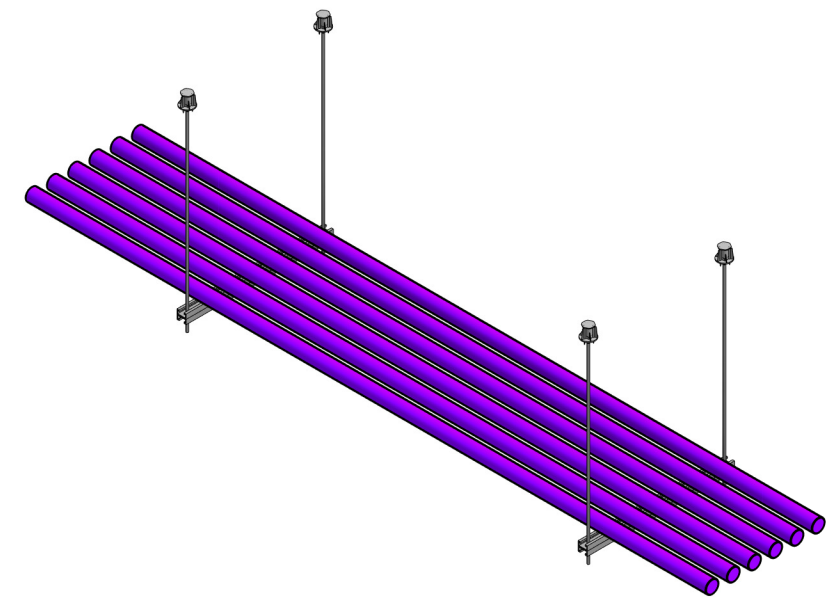
1 Elevation Left59
 1/2" = 1'-0"



2 Elevation Top59
 1/2" = 1'-0"



4 Elevation Front59
 1/2" = 1'-0"



5 3D Ortho59